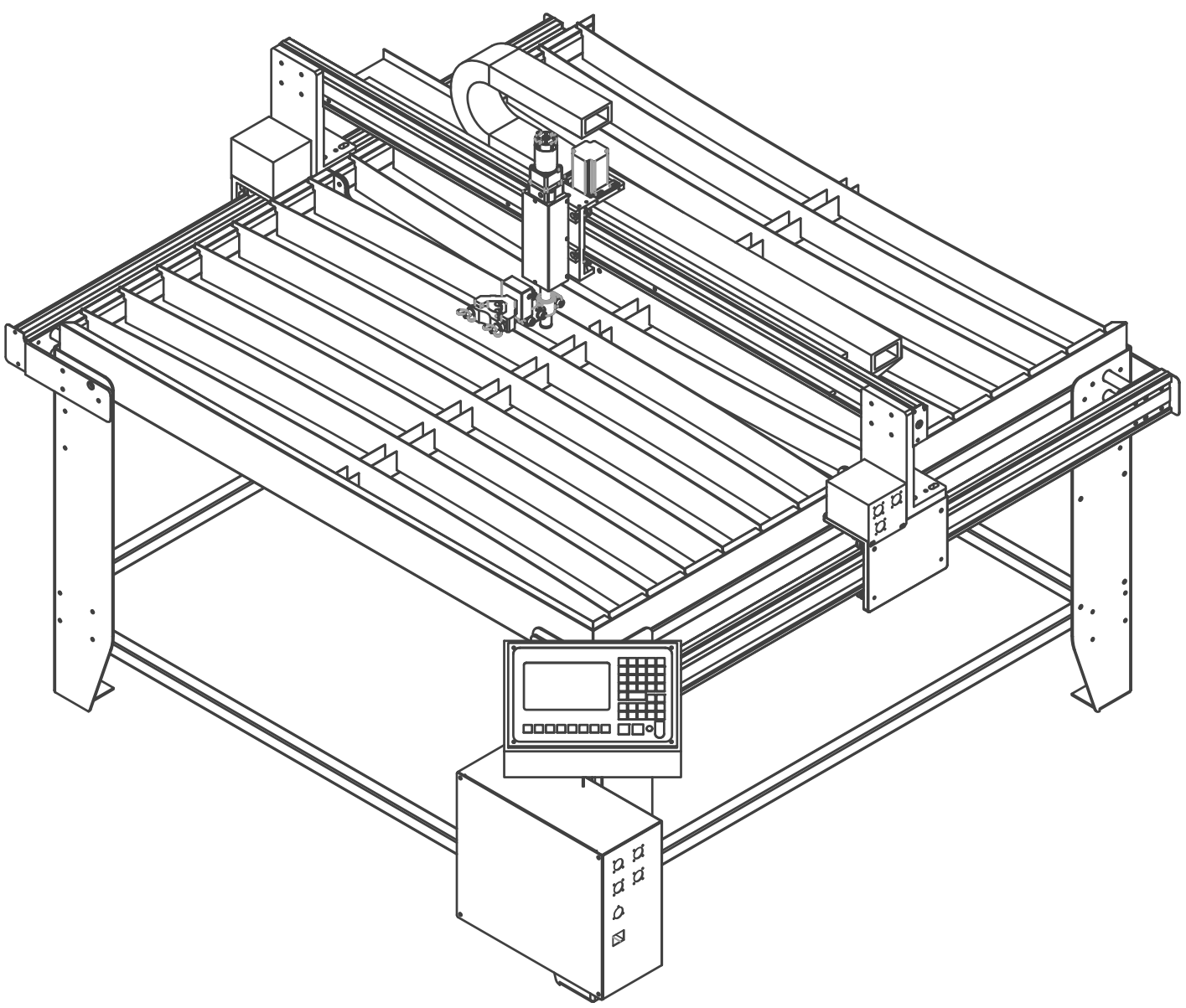
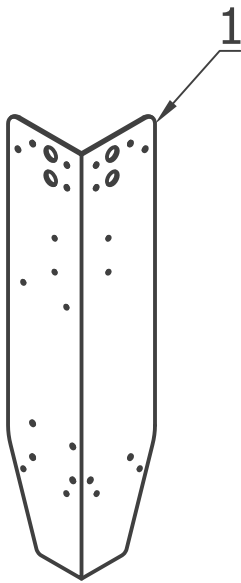


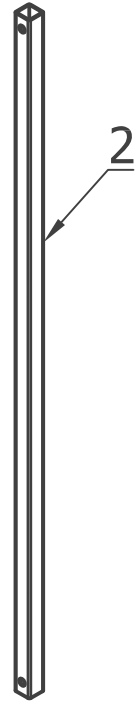
# MINICUT-4400 Installation Diagram



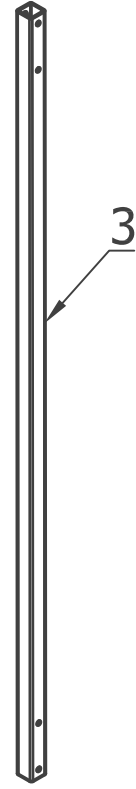
# 1-0



4x

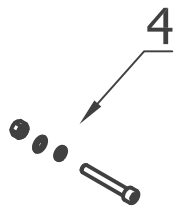


4x



4x

M6x50 With nut  
and washer

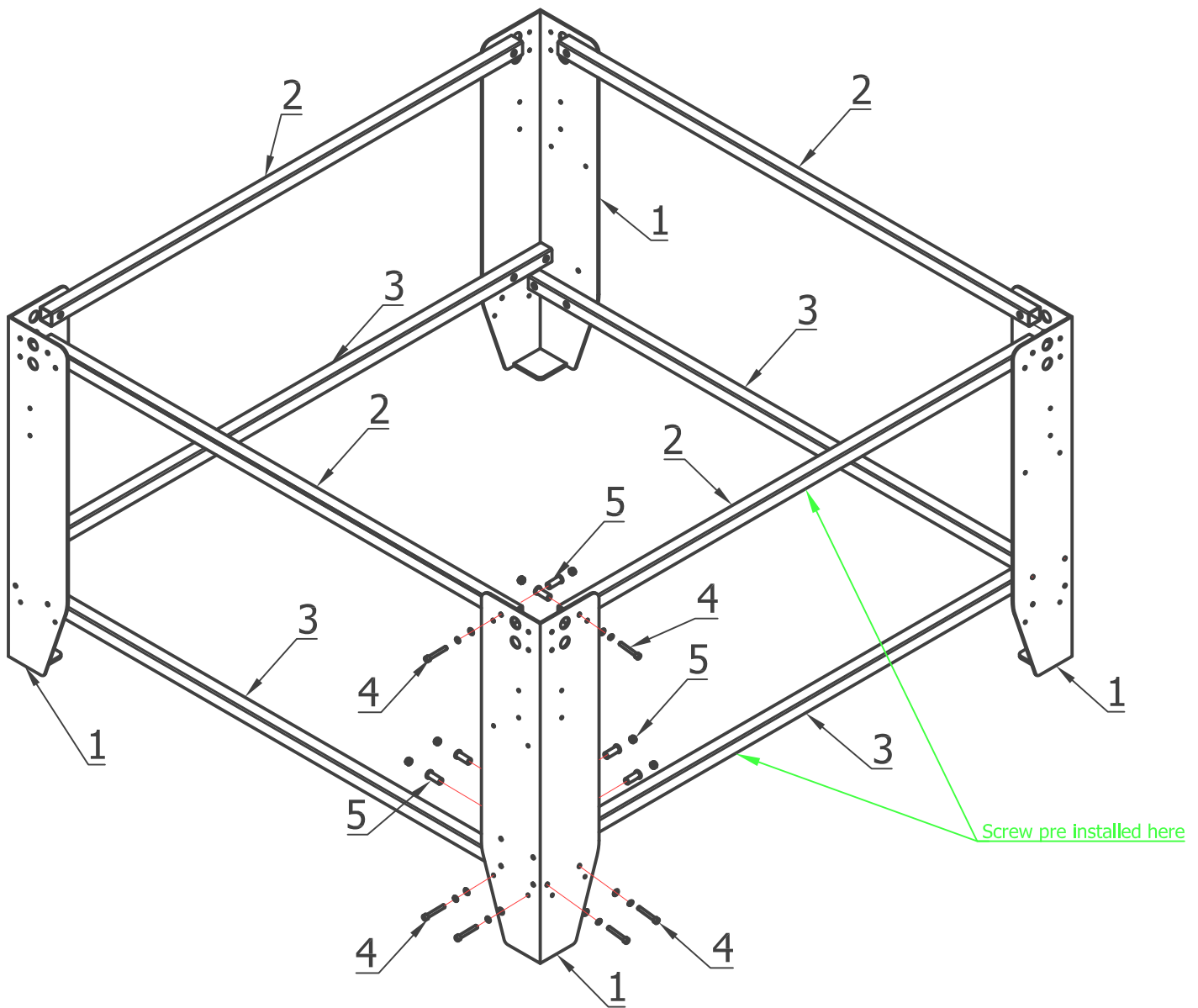


24x



24x

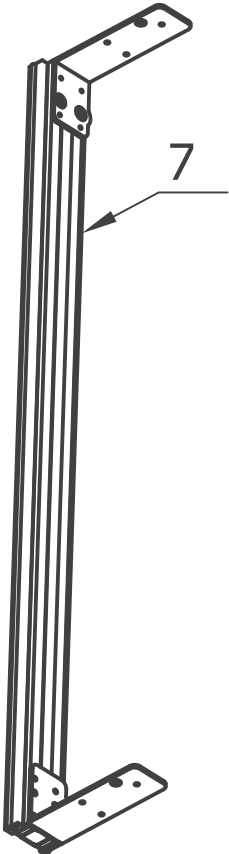
1-1



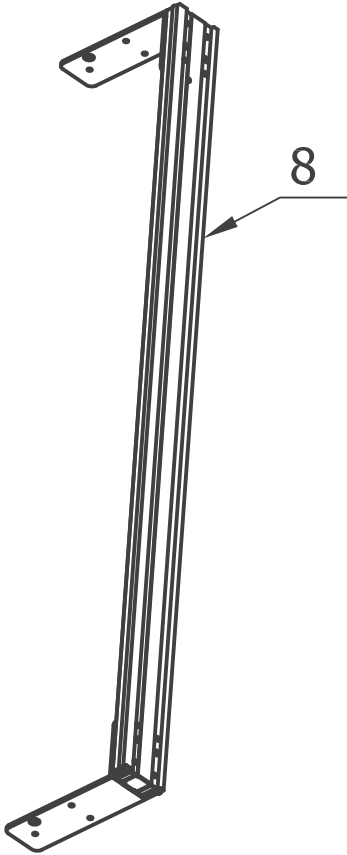
2-0



4x

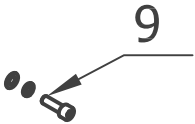


1x



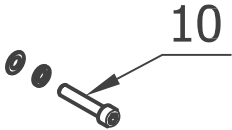
1x

M6x16  
With washer

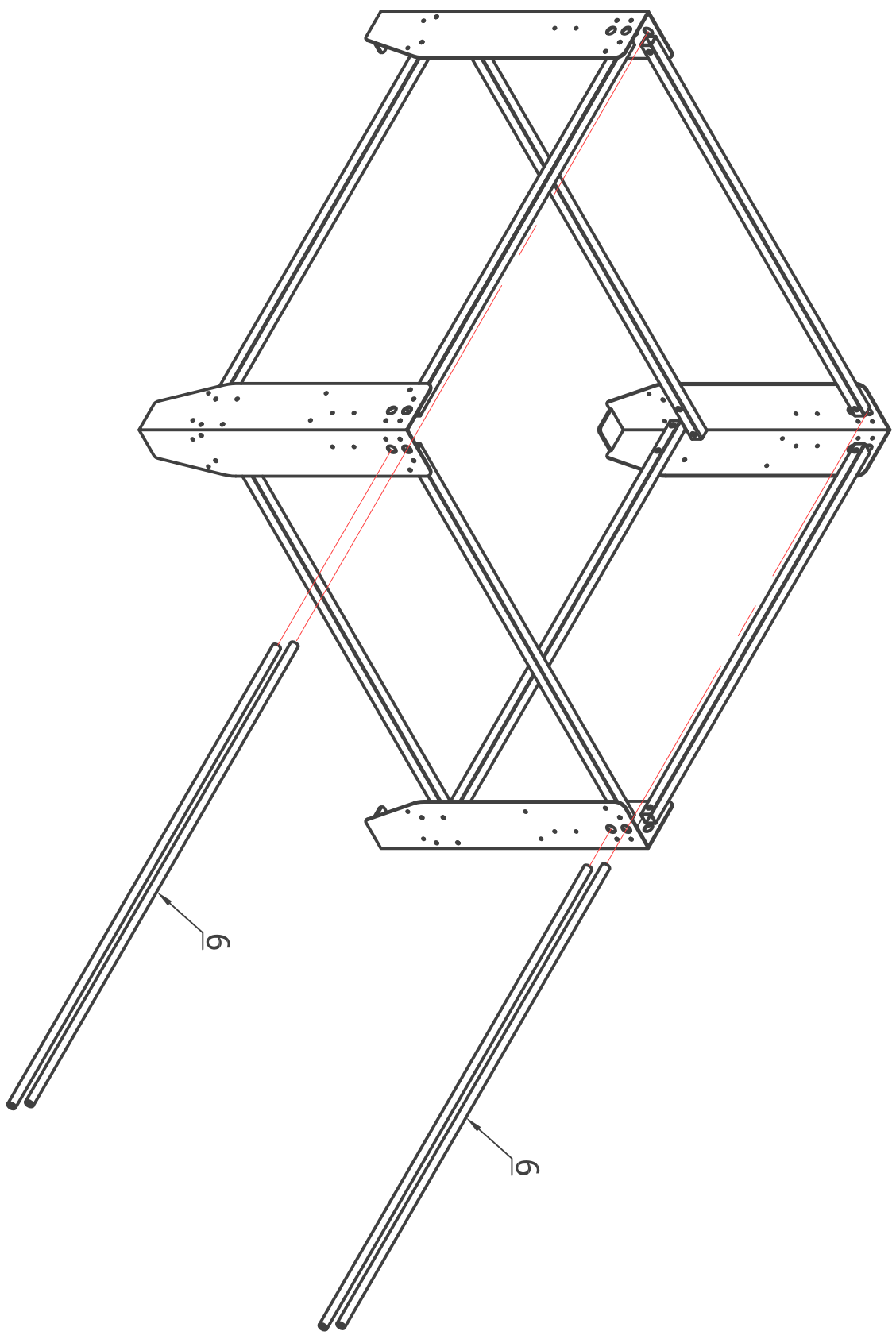


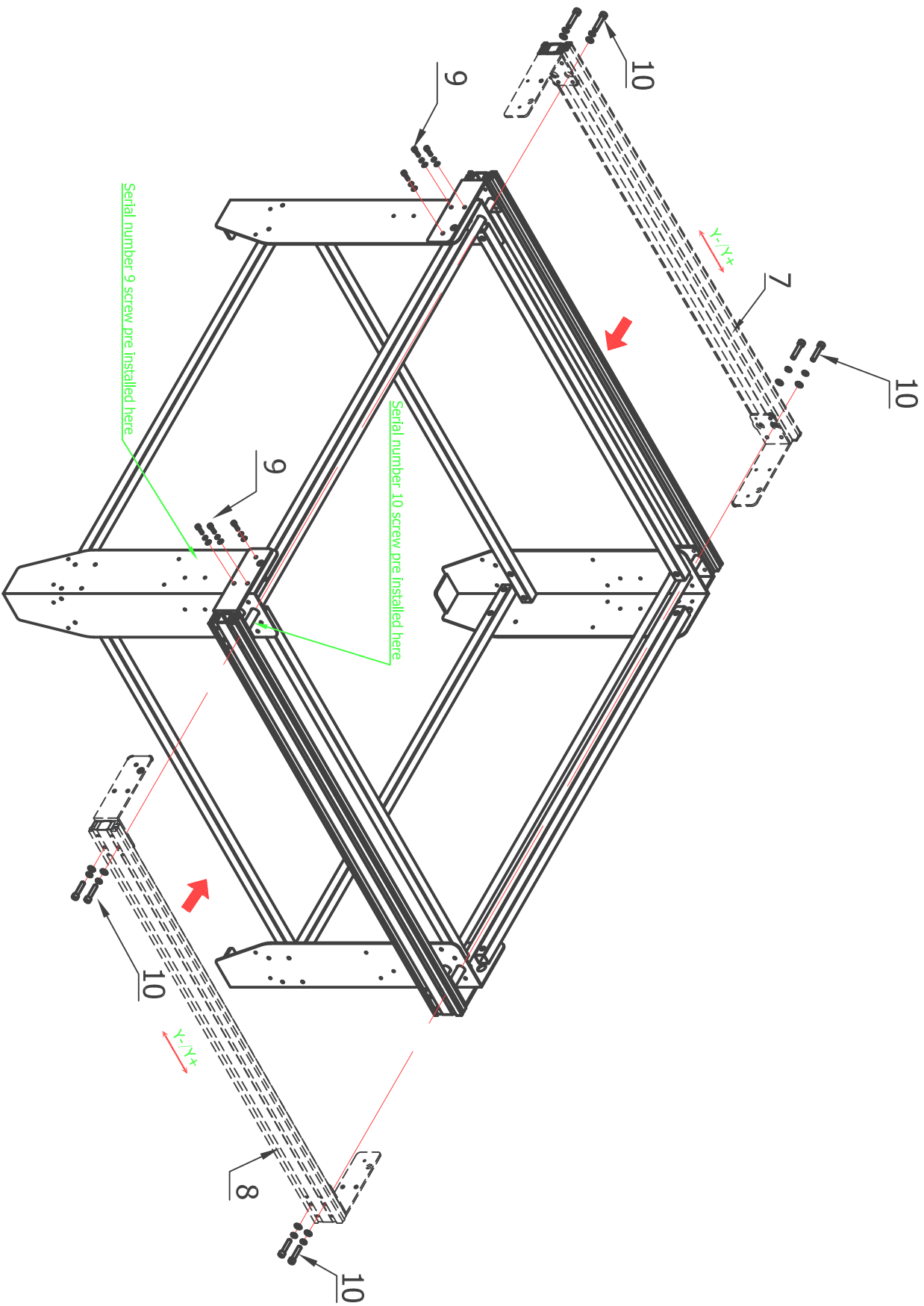
12x

M8x45  
With washer

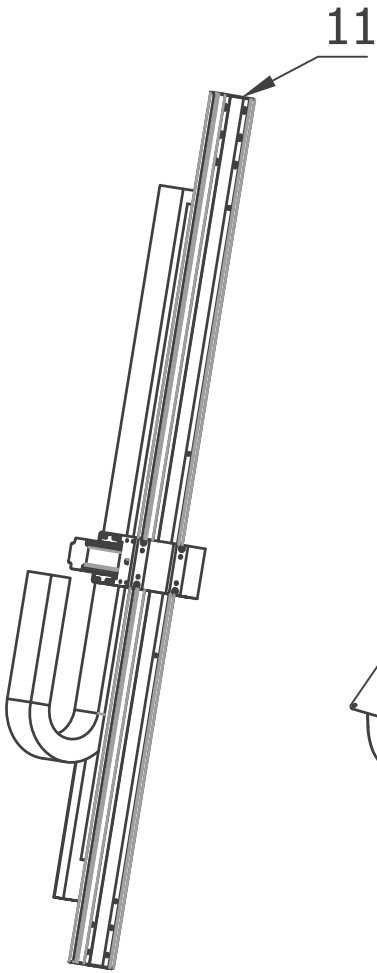


8x

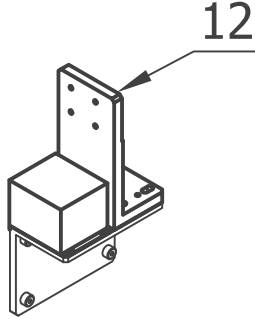




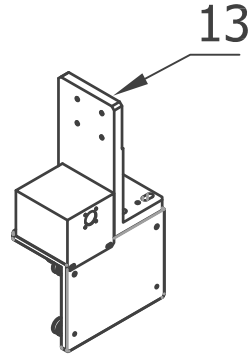
# 3-0



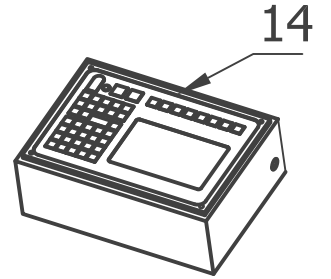
1x



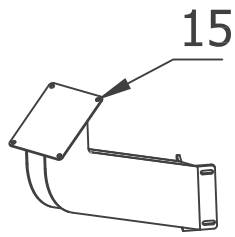
1x



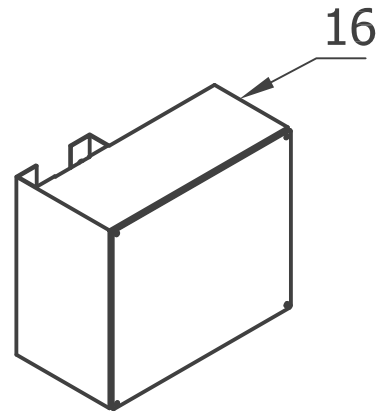
1x



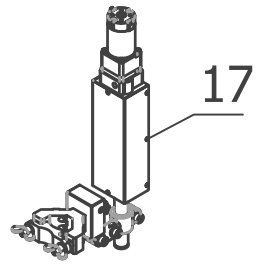
1x



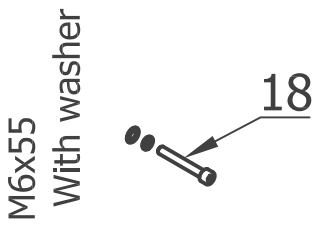
1x



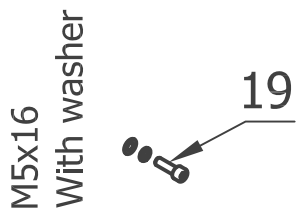
1x



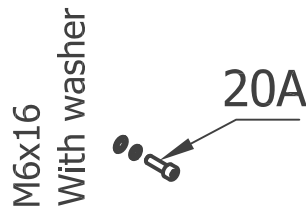
1x



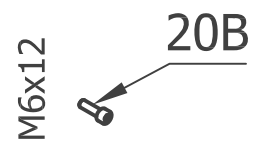
8x



4x



4x

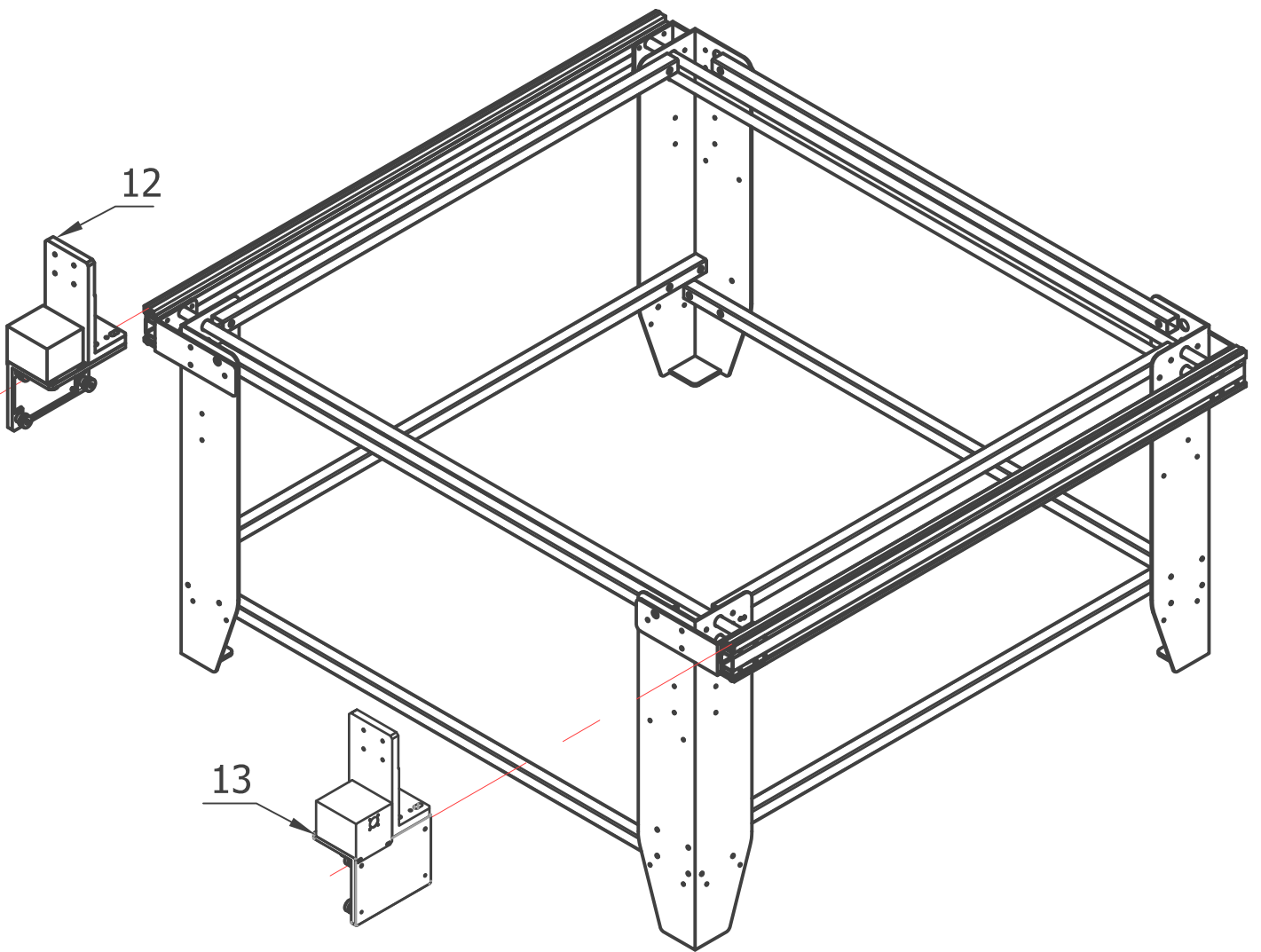


4x



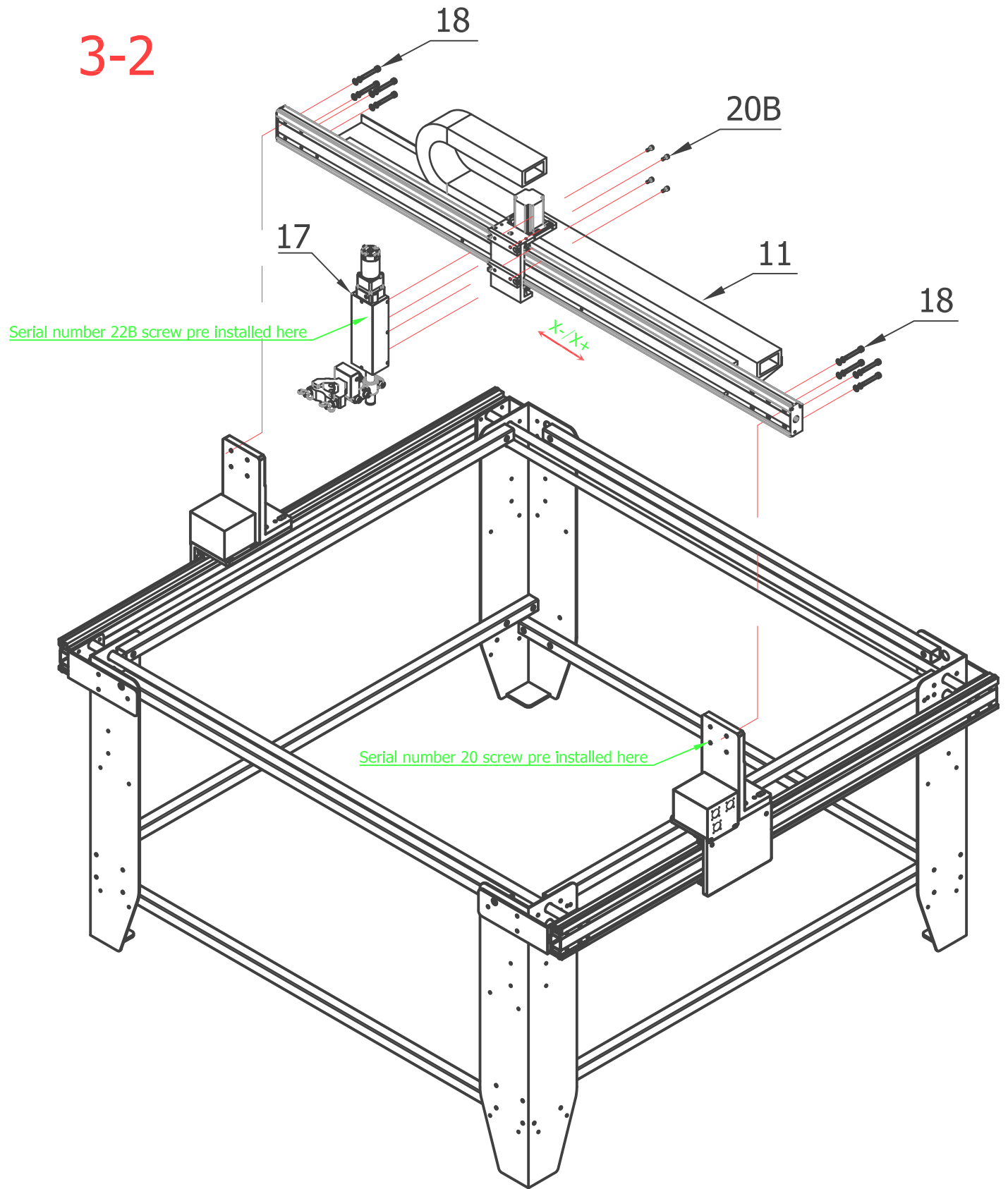
4x

3-1

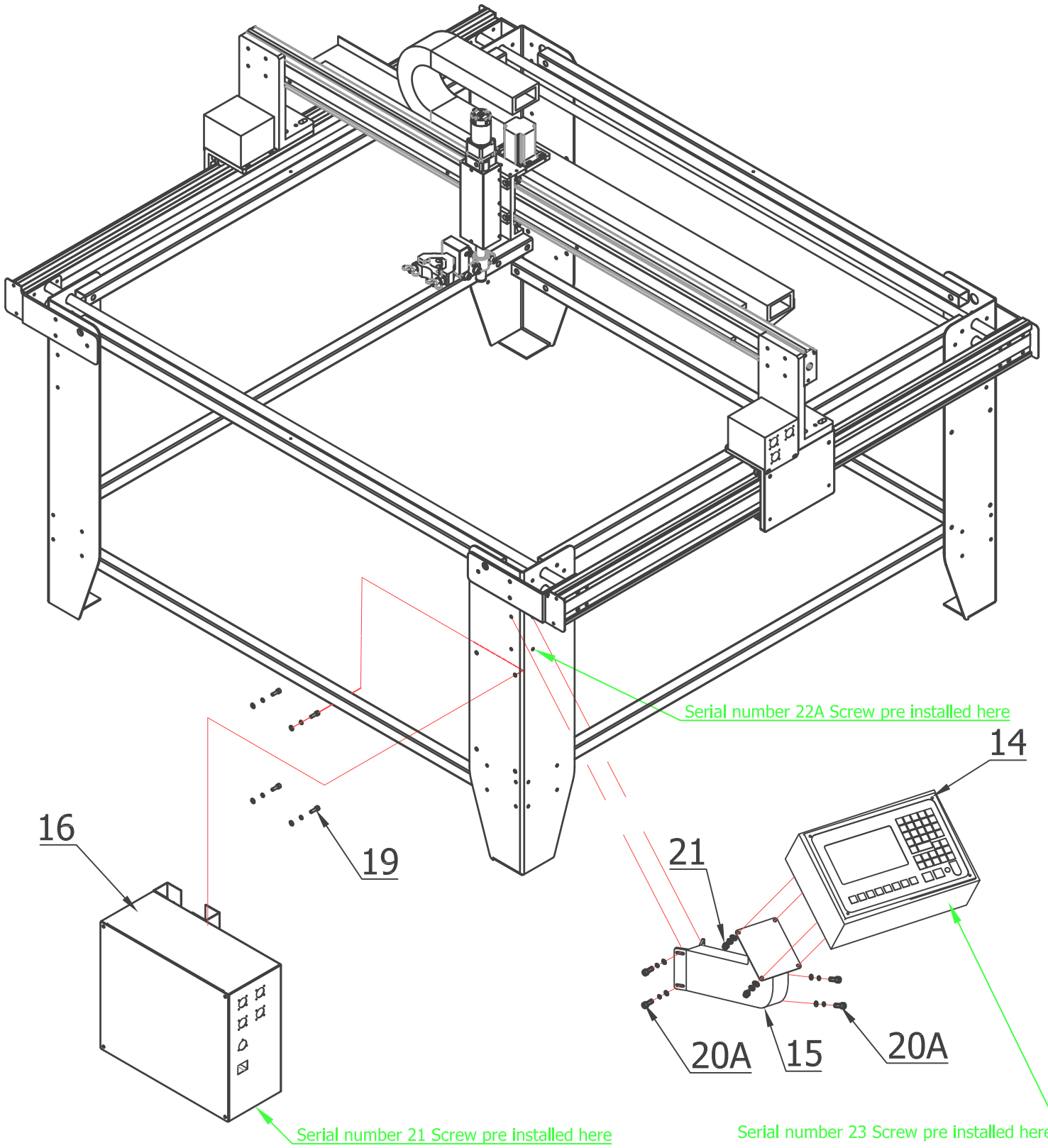




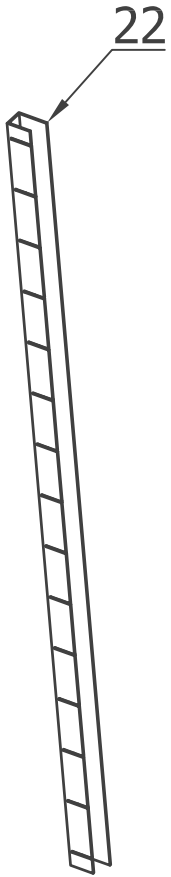
3-2



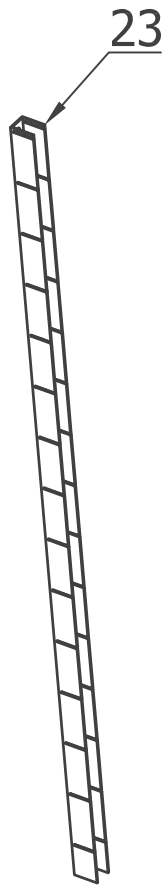
# 3-3



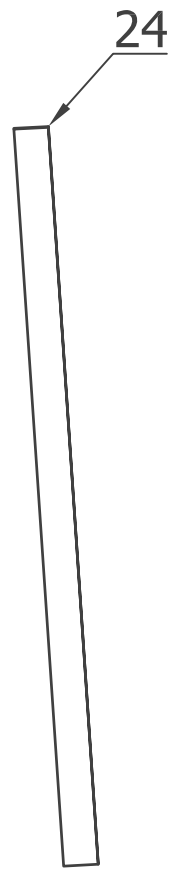
4-0



2x

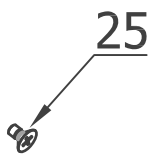


1x



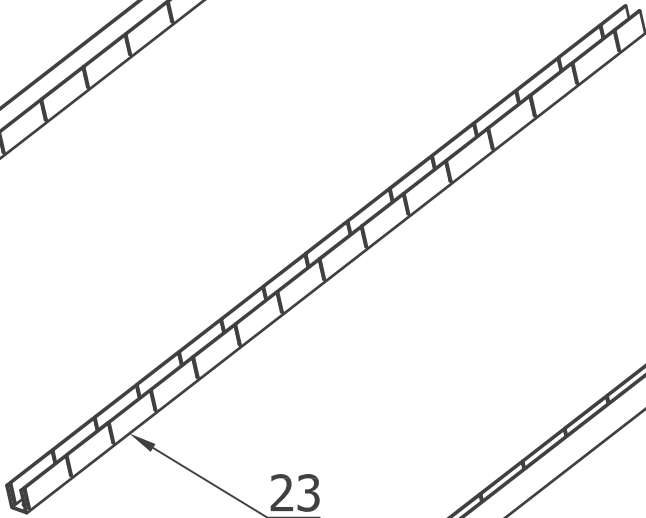
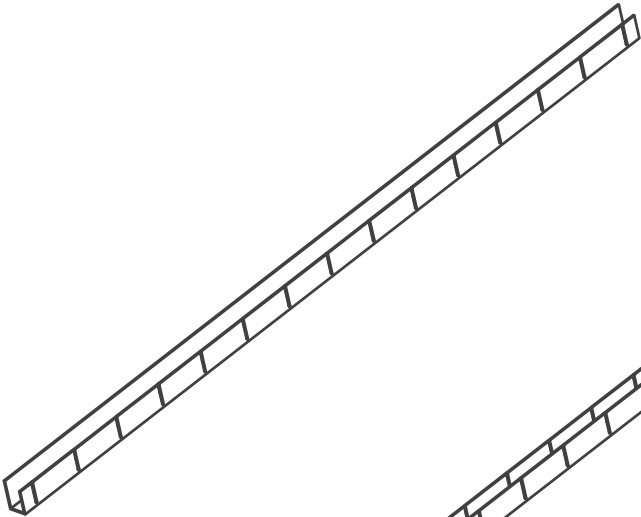
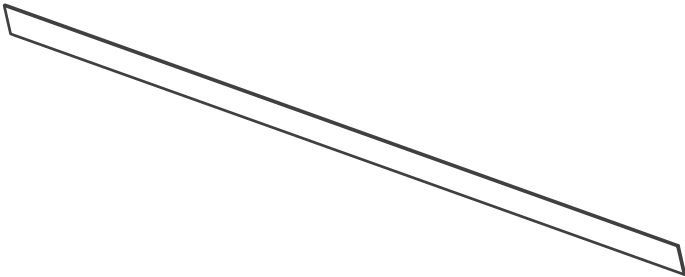
15x

M4x8

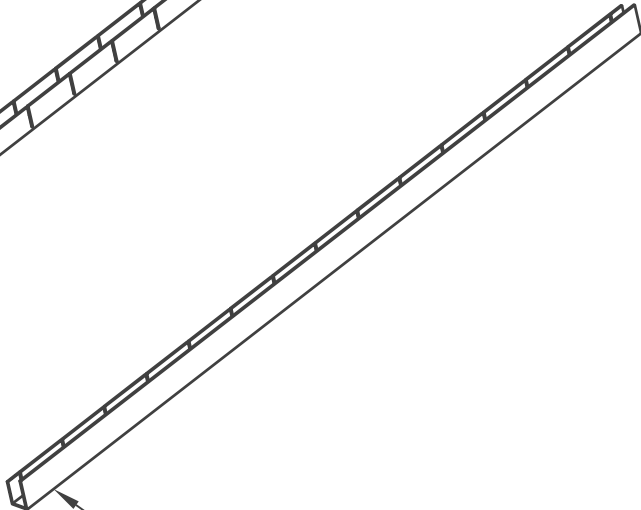


2x

4-1

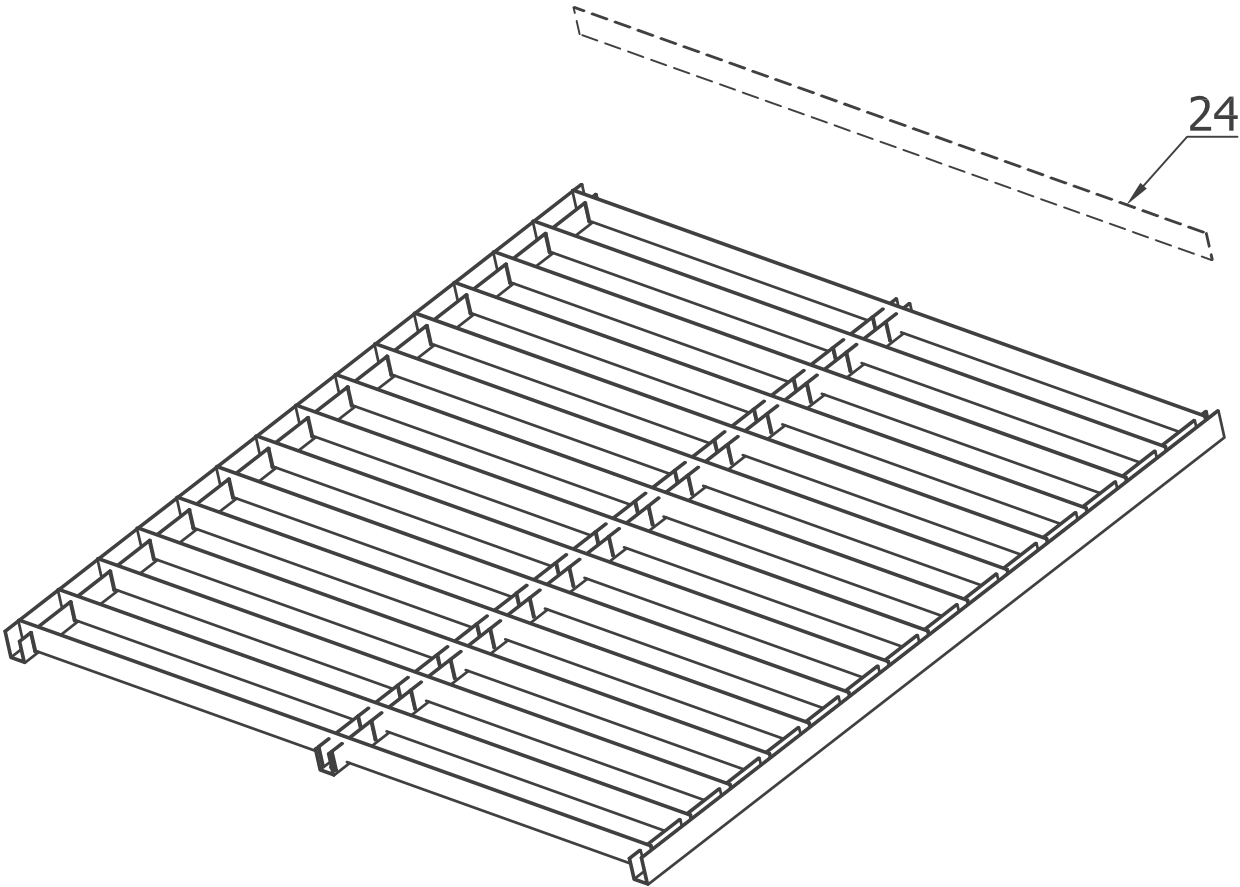


23

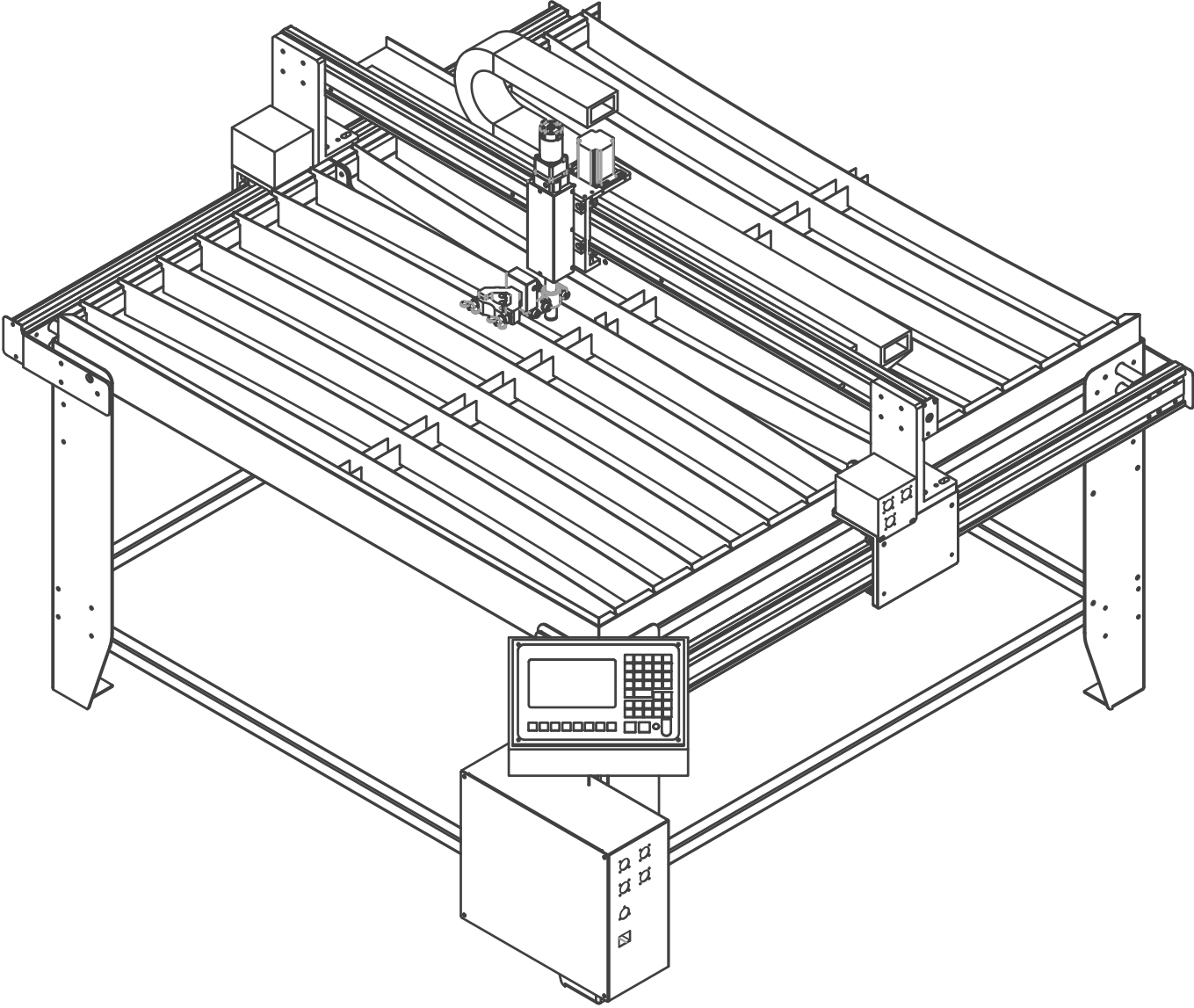


22

4-2



4-3



5-0

## Spare parts



2x

# Electrical connection diagram

